

URCOSC-018G

0.18 μ m Built-in RC-Oscillator

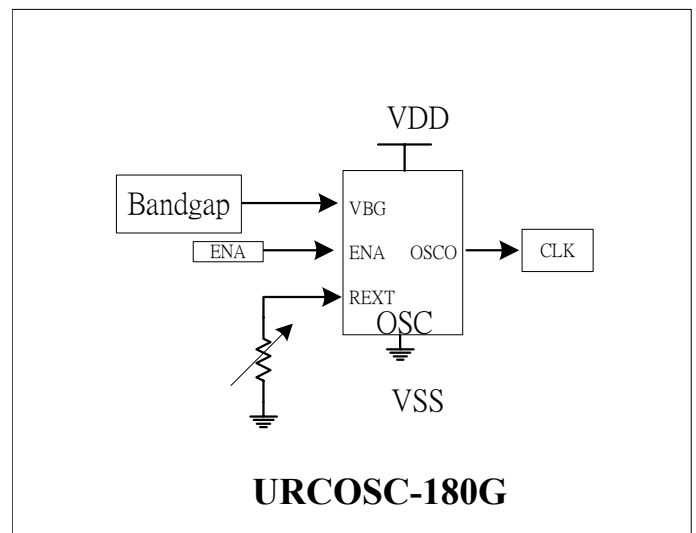
Features

- ◆ 0.18 μ m TSMC 1P6M generic 1.8/3.3V technology
- ◆ Power supply range : 1.62V-1.98V
- ◆ External bandgap : 1.25V
- ◆ Operating junction temp. : 0 $^{\circ}$ C-125 $^{\circ}$ C
- ◆ Oscillating frequency range(tuned by external resistor) : 12-50MHz
- ◆ IP's minimum metal requirement : 4 metal layers
- ◆ One external component is required
- ◆ Oscillator enable/disable pin provided
- ◆ Low power supply current

General Description

This URCOSC-180G is a programmable oscillator cell that generates output frequency ranging from 12MHz to 50MHz. The output frequency is programmable through external resistor. This URCOSC-180G has an enable signal to turn OSC cell on/off. When URCOSC-180G is disabling, the output (OSCO) is held at logic low.

Block Diagram:



Global Unichip Corp.

TEL: +886-3-5646600 <http://www.globalunichip.com>
 FAX: +886-3-5646000 e-mail: info@globalunichip.com
 No.10, Li-Hsin 6th Rd., Science-Based Industrial Park, Hsinchu 300, Taiwan



創意電子
GLOBAL UNICHIP CORP.

Deliverables

- **Verilog model**
- **VHDL model**
- **Synopsys model**
- **TLF model**
- **LEF model**
- **Hard core**
- **Pin assignment**
- **Datasheet**

Global Unichip Corp.

TEL: +886-3-5646600

<http://www.globalunichip.com>

FAX: +886-3-5646000

e-mail: info@globalunichip.com

No.10, Li-Hsin 6th Rd., Science-Based Industrial Park, Hsinchu 300, Taiwan